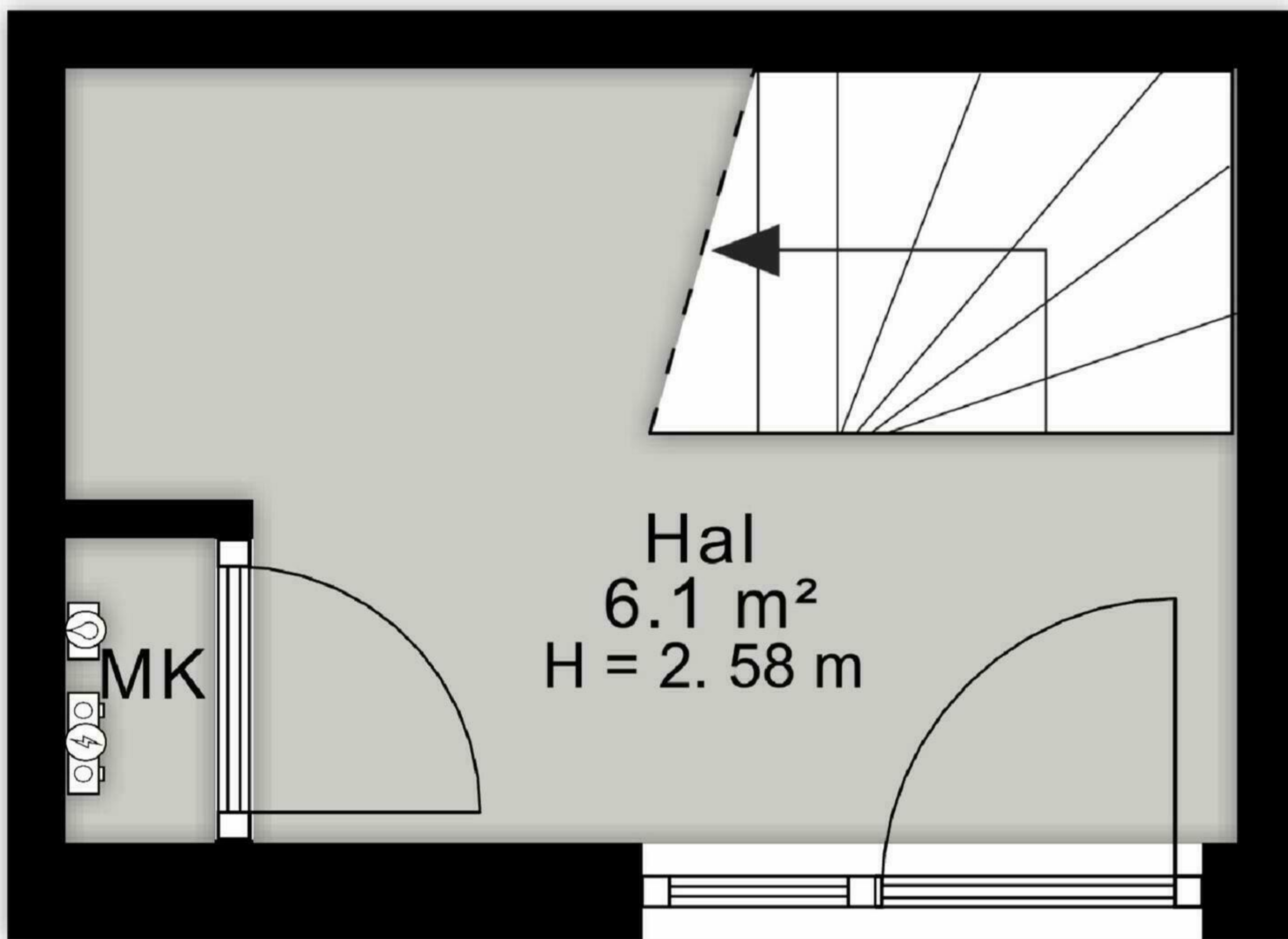


3.04 m



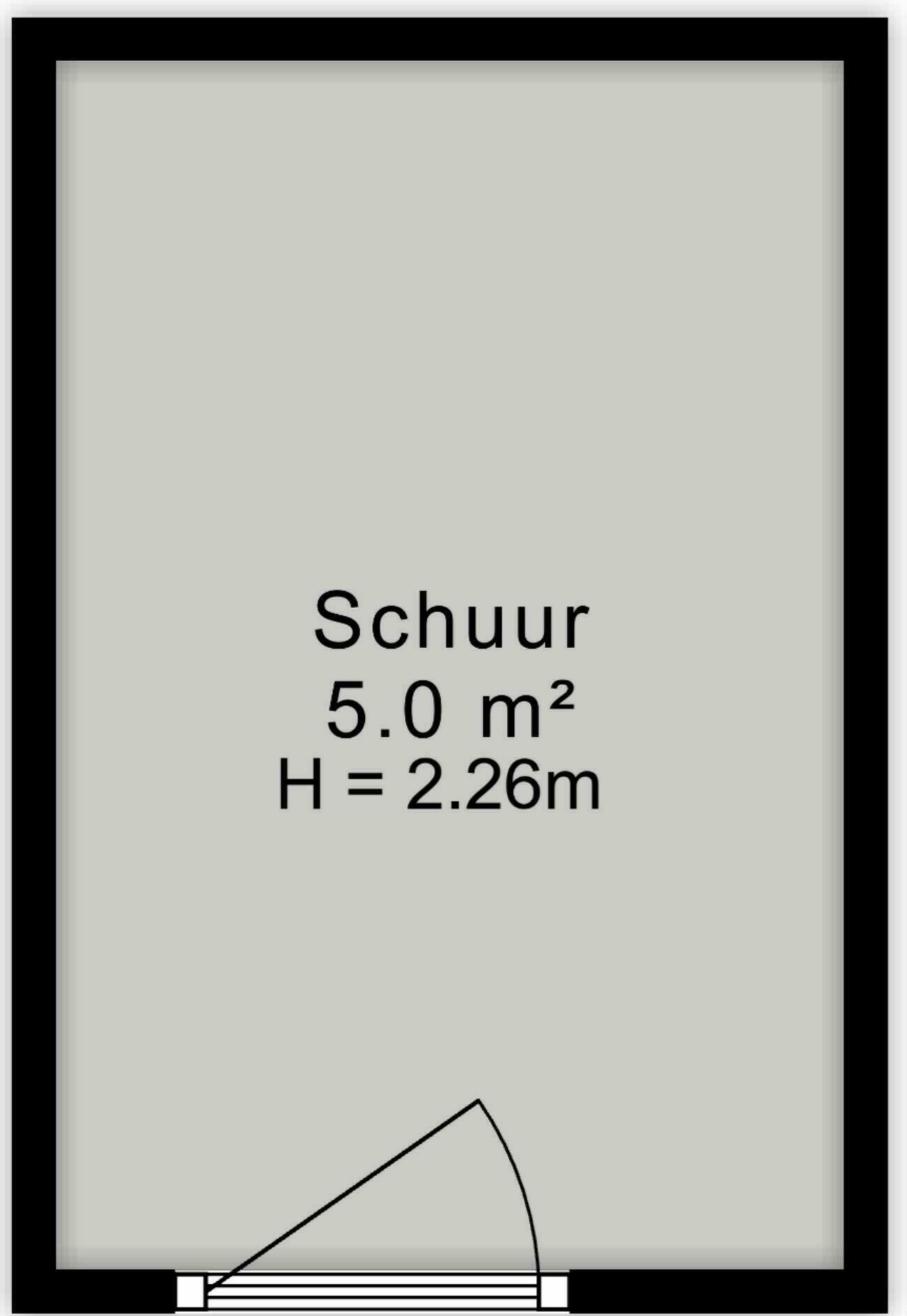
2.01 m

2.55 m



← 1.80 m →

↑
2.76 m
↓



Schuur
5.0 m²
H = 2.26m

